



CLIMATE CONTROL SOLUTION

Red Dot

**Refuse Collection**

**VEHICLE SPECIFIC**

# REFUSE VEHICLES



## R-2000

The compact, low profile design of the R-2000 allows an out of the way ceiling mount in virtually any vehicle. The high output of ice cold air blowing down from above is the ultimate in driver comfort.

The R-2000 can be installed facing any direction that best suits the particular application. Not only does this air conditioner make a perfect installation in cabs where space is a problem it is also an effective auxiliary cooling unit in vans, motor homes and small delivery vehicles.



### SPECIFICATIONS

<b>BTU'S</b>	Cooling – 17,000 BTU/Hr w/36°F (5 kW w/ 2.2°C) refrigerant temp. and 80°F (26.7°C) wet bulb entering air
<b>AIR FLOW</b>	235 CFM (400 m3/h)
<b>WEIGHT</b>	24 lbs. (11 kg)
<b>CURRENT DRAW</b>	18.5 amps @ 13.6 VDC (includes 4 amps for A/C clutch) 9.3 amps @ 27.2 VDC (includes 2 amps for A/C clutch)
<b>CONTROLS</b>	Three speed fan, adjustable thermostat

## R-6100

The R-6100 is the ultimate rooftop air conditioner design. Red Dot went the extra mile in designing a lightweight, high capacity unit with a styled low profile that fits the aerodynamic truck designs of today. Notice the sloping front that rides comfortably over center marker lights. This is a must when roof space is minimal or air shields are used.

A low profile plenum protrudes barely 1½" into the cab and blends easily into the headliner leaving ample head room. Frigid, high-velocity air can be directed 360° through the large diffusers located directly below the double blowers. Also featured is a cab air filter incorporated into the plenum.



### SPECIFICATIONS

<b>BTU'S</b>	Cooling –16,000 BTU/Hr with 36°F (4.7 kW with 2.2°C) refrigerant temp. and 80°F (26.7°C) wet bulb entering air
<b>AIR FLOW</b>	265 CFM (450 m³/h)
<b>WEIGHT</b>	44 lbs. (20kg)
<b>CONDENSER COIL</b>	The coil is aluminum fin and copper tube construction. This material selection, which includes a tube of .022" (6 cm) wall thickness, results in an effective, lightweight, and rugged coil.
<b>CONDENSER MOTOR/FAN</b>	The motor is a permanent magnet type selected for its extended life. The motor is sealed and a slinger ring and hub cap added for weather protection. The fan is aluminum with a heavy duty spider and riveted blades.
<b>CURRENT DRAW</b>	33 amps @ 13.6 VDC (includes 4 amps for A/C clutch) 16.5 amps @ 27.2 VDC (includes 2 amps for A/C clutch)
<b>CONTROLS</b>	Three speed blower and adjustable thermostat

## R-6160

The R-6160 is the perfect rooftop condenser design. A light weight, compact, and high capacity unit with a styled low profile that fits the aerodynamic vehicle designs of today. This is a must for effective air flow and when roof space is minimal or air shields are used.



### SPECIFICATIONS

<b>CAPACITY</b>	24,000 BTU's/hr (7 kW @ 65.5°C)
<b>WEIGHT</b>	23 lbs. (10.5 kg) Lightweight
<b>CONDENSER COIL</b>	The coil is aluminum fin and copper tube construction, which includes a tube of .022" (6 cm) wall thickness, results in an effective, lightweight rugged coil.
<b>MOTOR/FAN</b>	The motor is a permanent magnet type selected for its extended life. The fan is made of aluminum.
<b>CURRENT DRAW</b>	12 amps @ 13.6 VDC (includes 4 amps A/C for clutch) 6 amps @ 27.2 VDC (includes 2 amps A/C for clutch)
<b>UNITS</b>	R-6160-0P (12 VDC), R-6160-0-24P (24 VDC)

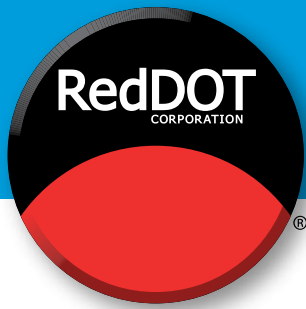
## R-6260

The latest in design technology was used in developing the R-6260. From its modern aerodynamic look to its high capacity, the R-6260 out performs any unit in its class. Under the cover, Red Dot uses heavy duty construction to meet the demands of the class 8 marketplace.



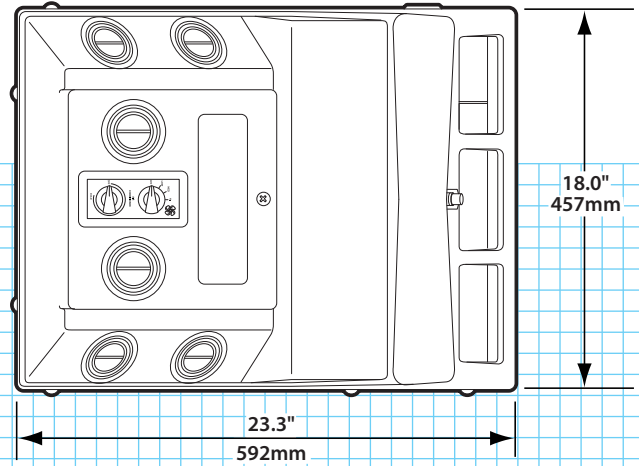
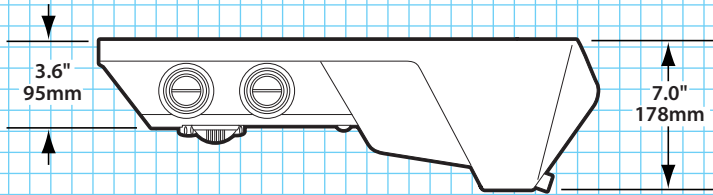
### SPECIFICATIONS

<b>CAPACITY</b>	38,800 BTU/hr (11.4 kW @ 65.5°C)
<b>WEIGHT</b>	30 lbs. (14 kg) Lightweight
<b>MOTOR/FAN</b>	Two 11-inch (27.9 cm) diameter pancake motor fan assembly producing 970 CFM (1,648 m3/h)
<b>CURRENT DRAW</b>	15 amps @ 13.6 VDC (includes 4 amps A/C for clutch) 8.5 amps @ 27.2 VDC (includes 2 amps A/C for clutch)
<b>UNITS</b>	R-6260-1P (12 VDC) R-6260-1-24P (24 VDC)

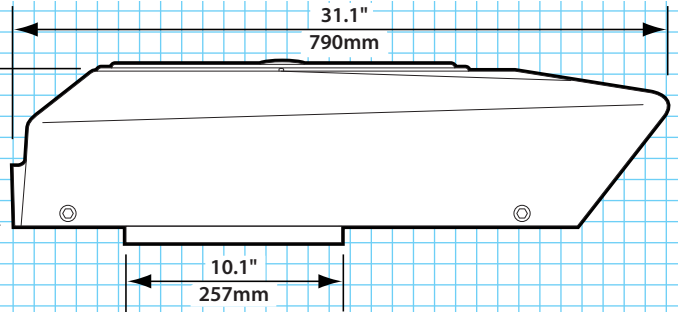
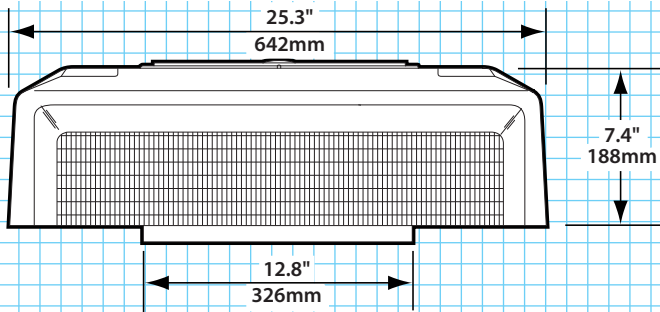


**DIMENSIONS**

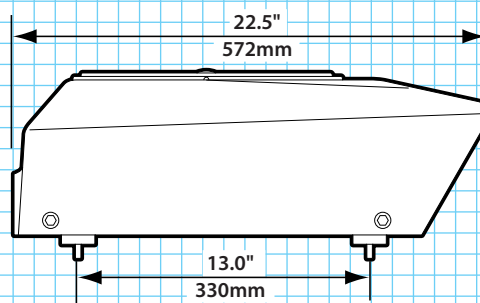
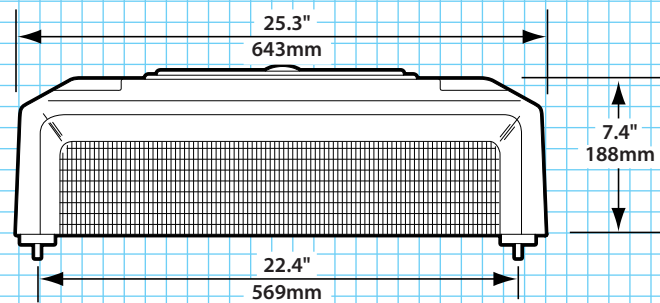
**R-2000 Headliner A/C**



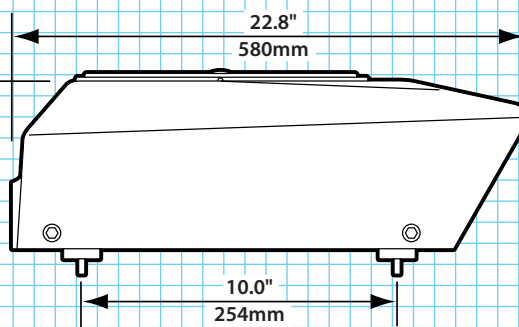
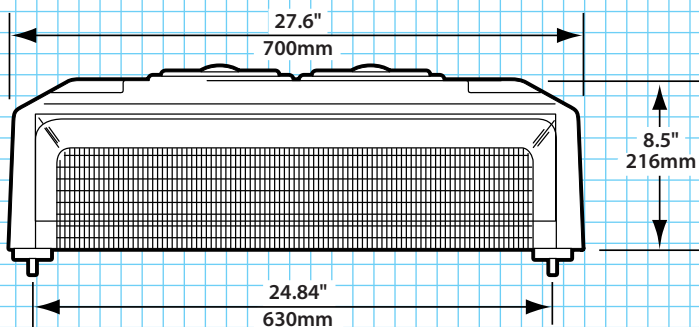
**R-6100 Rooftop A/C**



**R-6160 Rooftop Condenser (24,000 BTUs)**



**R-6260 Rooftop Condenser (38,000 BTUs)**



1 square = 1"