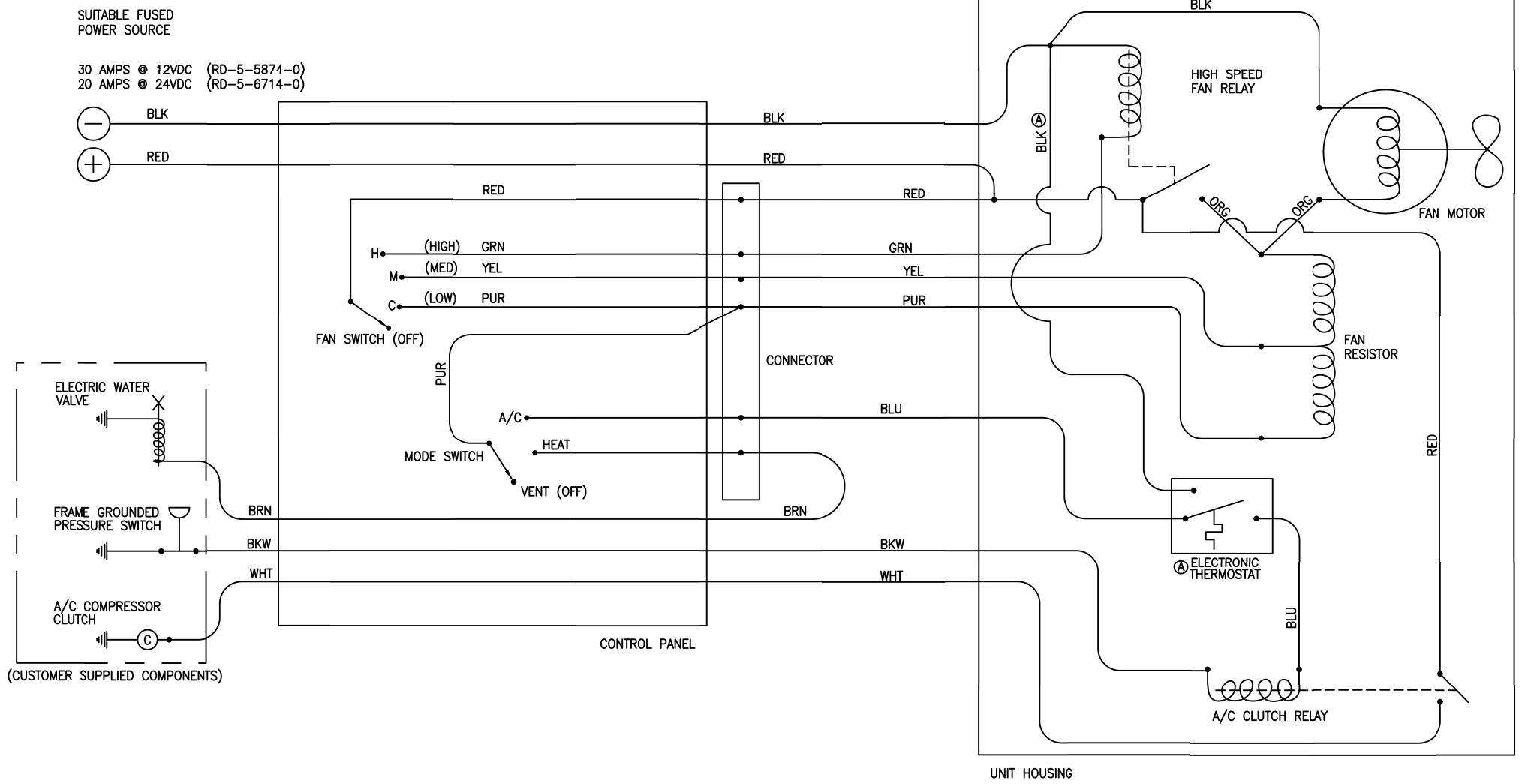


LTR	DATE	BY	CHK'D	PROVE OUT	PROD APPR	REVISION
--	3-2-96	DMG	DED	--	SN	INITIAL RELEASE; (ER08003).
A	8-4-15	AJW	JVH	RC	TLO	ADDED BLK; ELECTRONIC THERMOSTAT WAS THERMOSTAT (ER-SUS3026, EC-MFG4214)



1) SEE RD-3-7871-0 AND RD-3-7872-0 FOR INDIVIDUAL WIRE DESCRIPTIONS AND SPECIFICATIONS

NOTE:

ITEM	PART NO.	DESCRIPTION	MAT'L	FINISH	
DWN	D. GATELY 02-02-96	<b>WIRING SCHEMATIC</b> <b>R-9800</b> <small>THIS PRINT IS PROPRIETARY INFORMATION LOANED SUBJECT TO RETURN UPON DEMAND AND IS NOT TO BE USED DIRECTLY OR INDIRECTLY IN ANY WAY DETRIMENTAL TO RED DOT CORPORATION.</small>			
CKD	D. ASHER 02-05-96				
SCALE	NONE				
<b>RED DOT CORPORATION</b> 495 Andover Park East Seattle, WA 98188		NEXT ASSY RD-3-7804	DWG. NUMBER <b>RD-3-7879</b>	SIZE <b>C</b>	SHEET 1 OF 1