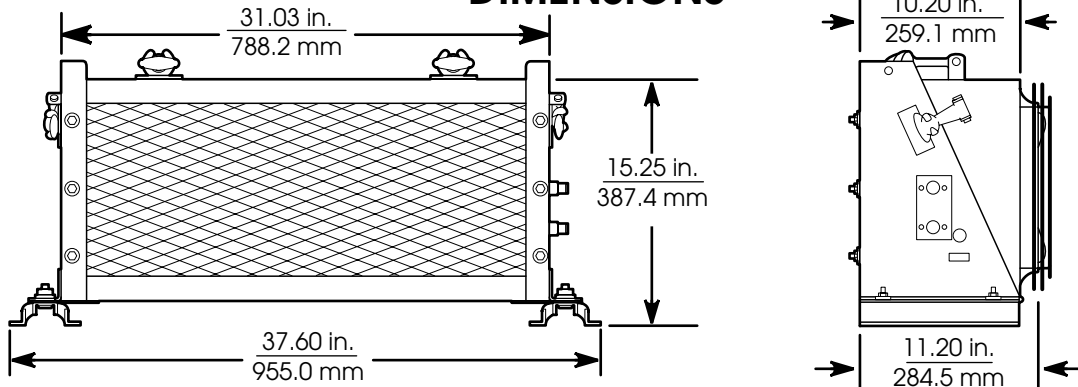




# Red Dot Heavy Duty Condenser R-9730 Series

## TECHNICAL SALES BULLETIN AND SERVICE PARTS LIST

### DIMENSIONS

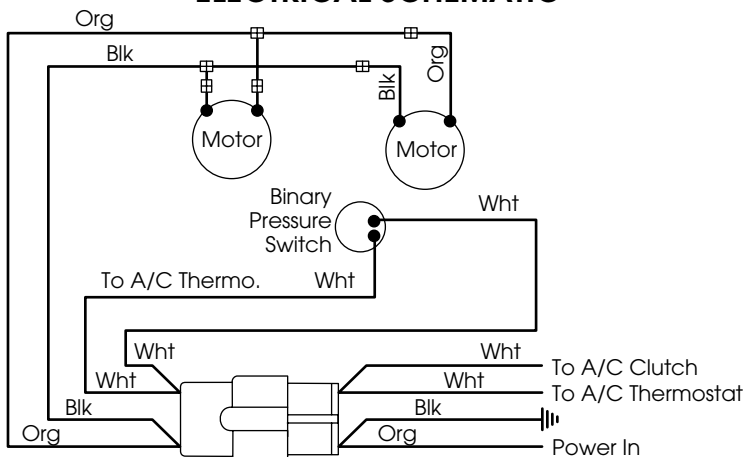


### SPECIFICATIONS

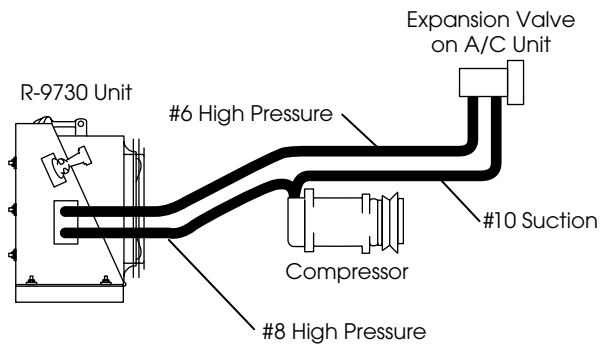
- Capacity:** 44,500 BTU/Hr (13.04 KW/Hr) @ 150°F (65.5°C) Condensing Temperature And 100°F (37.8°C) Entering Air
- Weight:** 74 Lbs. (33.6 Kg), Dry
- Condenser Coil:** Copper Tubing, Aluminum Fins And Plated Steel Headers
- Motors:** Two Single Speed, Long Life Sealed With Pre-Lubricated Bearings
- Current Draw:** 26 Amps @ 13.6 VDC (Includes 4 Amp for A/C Clutch)  
13 Amps @ 27.2 VDC (Includes 2 Amp for A/C Clutch)
- Fan Blades:** Two 10" Dia., 4-Bladed Fans Producing 1500 (42.5 M<sup>3</sup>/Min) C.F.M.
- Receiver Drier:** High Capacity With Red Dot Binary™ Switch.

### SCHEMATICS

#### ELECTRICAL SCHEMATIC



#### PLUMBING SCHEMATIC



Receiver Drier Located Inside Unit For Easy Access.