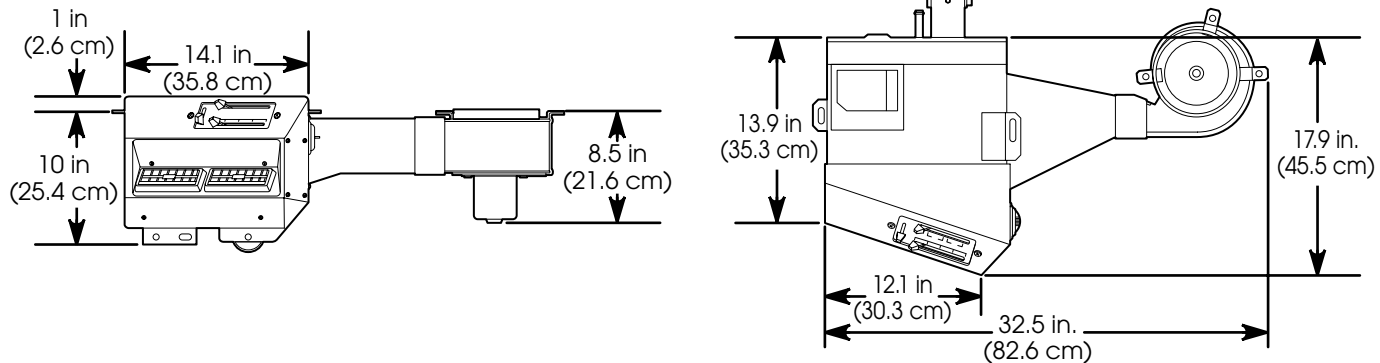


# Heater-Air Conditioner Model R-8820/8150

## TECHNICAL SALES BULLETIN AND SERVICE PARTS LIST

### DIMENSIONS

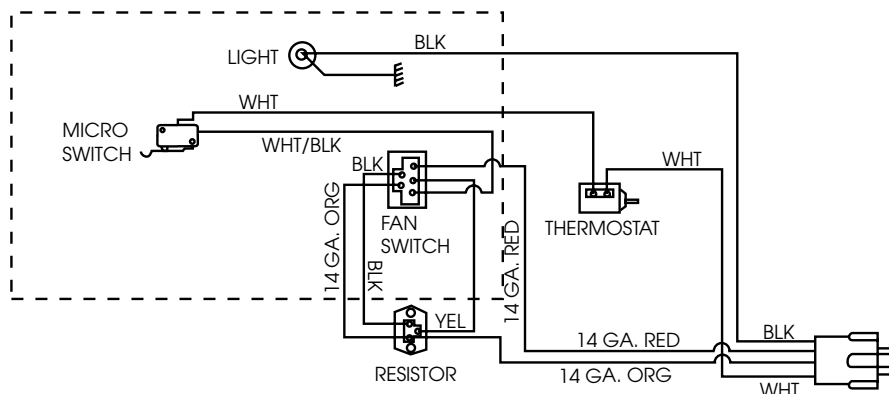


### SPECIFICATIONS

<b>BTU's:</b>	Heating - 27,000 BTU/Hr @ 100°F (6,804 kcal/h @ 37.8°C) Air Temp Rise Cooling - 20,000 BTU/Hr @ 36°F (5,040 kcal/h @ 2.2°C) Refrigerant Temp and 80°F (26.7°C) Wet Bulb Entering Air
<b>Air Flow:</b>	250 CFM (425 m <sup>3</sup> /h)
<b>Weight:</b>	34 Lbs (15 Kg)
<b>Current Draw:</b>	14 Amps @ 13.6 VDC

### SCHEMATICS

#### ELECTRICAL SCHEMATIC



#### PLUMBING SCHEMATIC

