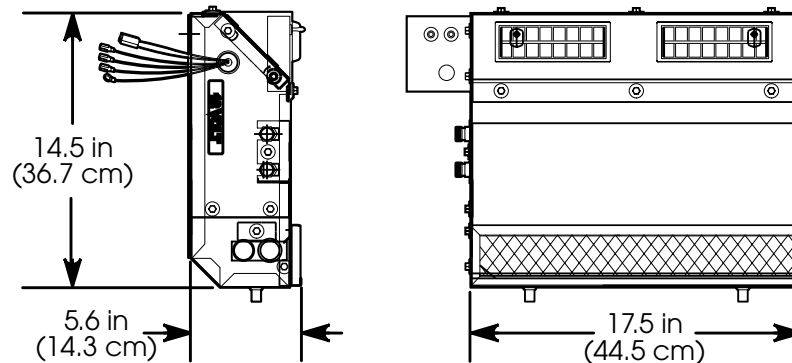


Compact Heater-A/C R-8500 Series

R-134a Compatible

TECHNICAL SALES BULLETIN AND SERVICE PARTS LIST

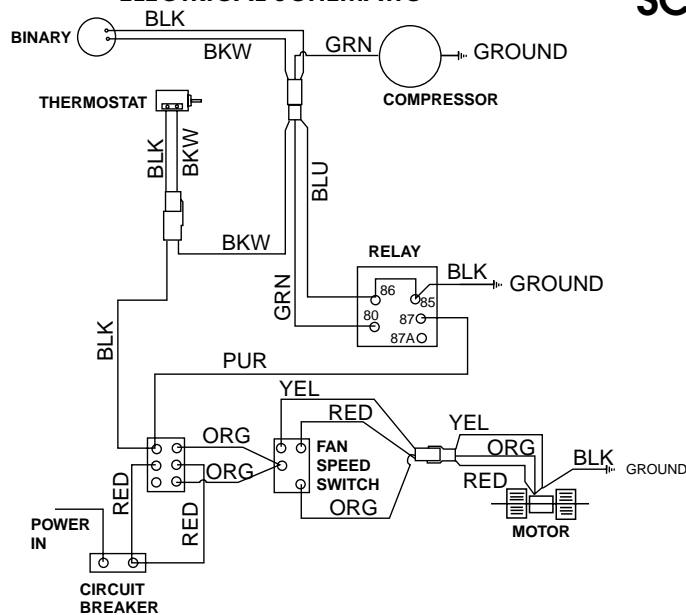
DIMENSIONS



SPECIFICATIONS

BTU's:	Heating - 22,000 BTU/Hr @ 100°F (5,544 kcal/h @ 37.8°C) Air Temp. Rise Cooling - 15,200 BTU/Hr with 36°F (3,830 kcal/h w/2.2°C) Refrigerant Temp. and 80°F (26.7°C) Wet Bulb Entering Air
Air Flow:	205 CFM (348 m ³ /h)
Weight:	24 Lbs (11 Kg)
Current Draw:	13.5 Amps at 13.6 VDC (Includes 4 Amps for A/C Clutch) 6.6 Amps at 27.2 VDC (Includes 2 Amps for A/C Clutch)

ELECTRICAL SCHEMATIC



RD-3-8263-0 (REV --)

SCHEMATICS

PLUMBING SCHEMATIC

