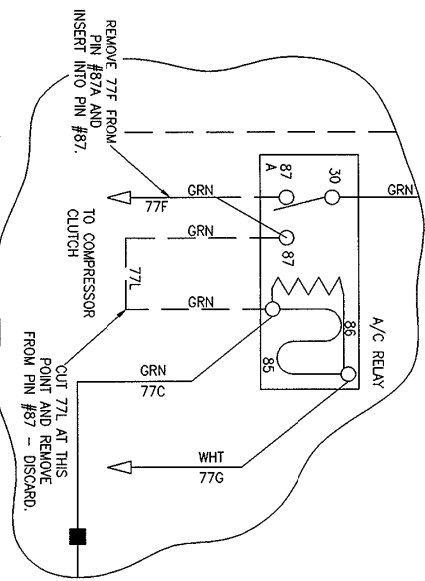


SHOWN FOR VEHICLES BUILT PRIOR TO 1999



NAVISTAR'S EXISTING WIRE HARNESS

FOR 1999 AND LATER VEHICLES MODIFY AS SHOWN