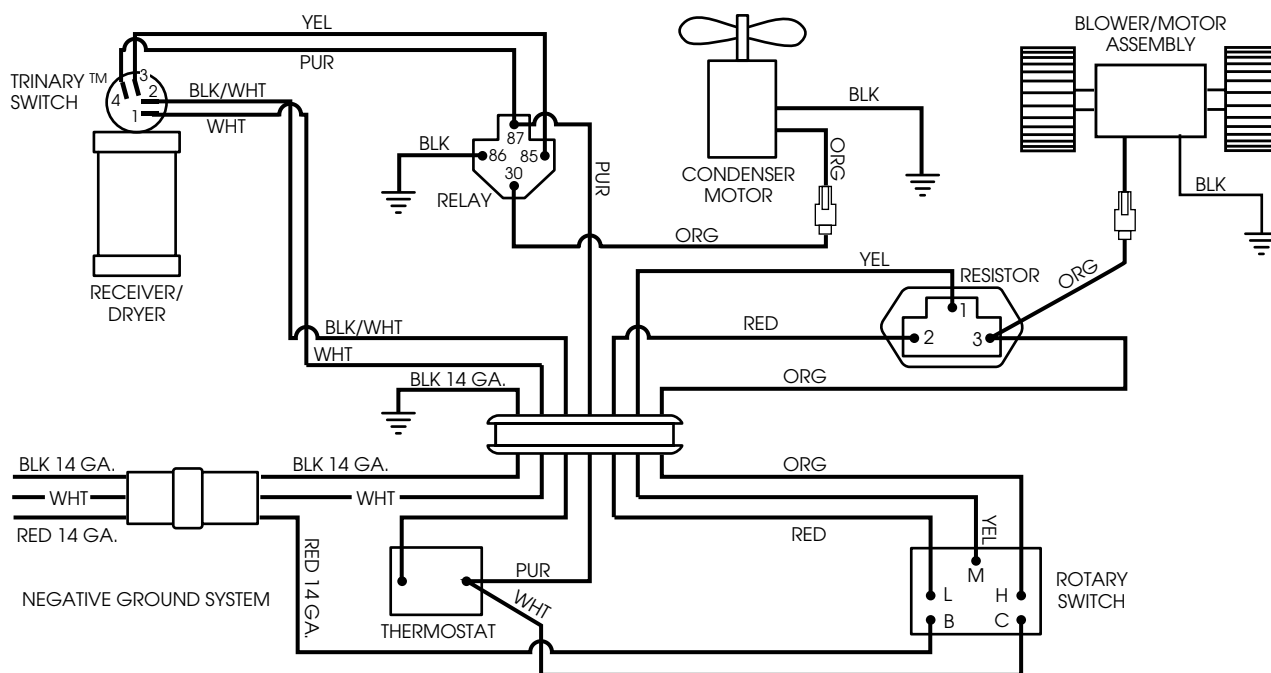


Universal Rooftop Air Conditioner R-6100 Series

ELECTRICAL SCHEMATIC

ELECTRICAL SCHEMATIC



- 1) ALL WIRE IS 16 GA. UNLESS OTHERWISE NOTED.
- 2) SEE RE-2-1255-0 AND RD-2-1250-0 WIRE HARNESS ASSYS FOR INDIVIDUAL WIRE DESCRIPTION AND SPECIFICATIONS.

ORDERING INFORMATION

ORDER BY MODEL NUMBER **R-6100-0**.
FOR 24 VOLT APPLICATIONS ADD **-24** TO MODEL NUMBER.

Additional cost may be needed for complete systems:

1. Channel Mounting Kit - RD-2-1302-0P
2. Installation Kit - RD-5-5014-1P

RED DOT CORPORATION P.O. Box 58270 Seattle, WA 98138 (425) 575-3840

FOR REFERENCE ONLY. SUBJECT TO CHANGE WITHOUT NOTICE