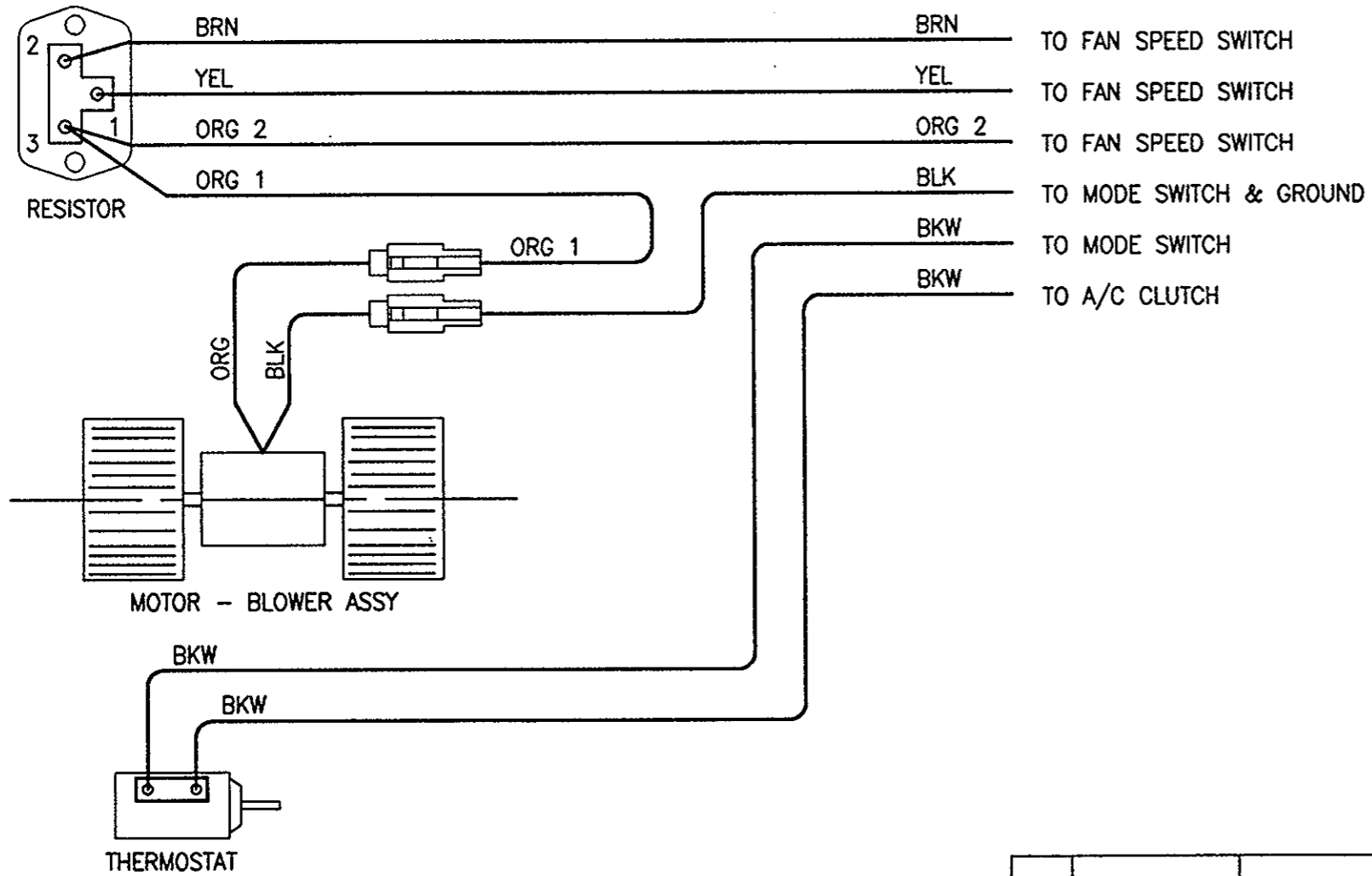


LTR	DATE	BY	CHK'D	PROD APPR	REVISION
--	5-8-97	CWB	LAM	<i>[Signature]</i>	INITIAL RELEASE (ER 10248)



ITEM	PART NO.	DESCRIPTION	MAT'L	FINISH		
DWN	C. BOYER 4-22-97	<b>WIRING SCHEMATIC</b> <b>R-5075</b>				
CKD	L. MILLAR 4-24-97					
SCALE NONE						
<b>RED DOT CORPORATION</b> 495 Andover Park East Seattle, WA 98188		THIS PRINT IS PROPRIETARY INFORMATION LOANED SUBJECT TO RETURN UPON DEMAND AND IS NOT TO BE USED DIRECTLY OR INDIRECTLY IN ANY WAY DETRIMENTAL TO RED DOT CORPORATION.	NEXT ASSY RD-3-7250	DWG. NUMBER <b>RD-3-8209</b>	SIZE <b>B</b>	SHEET 1 OF 1