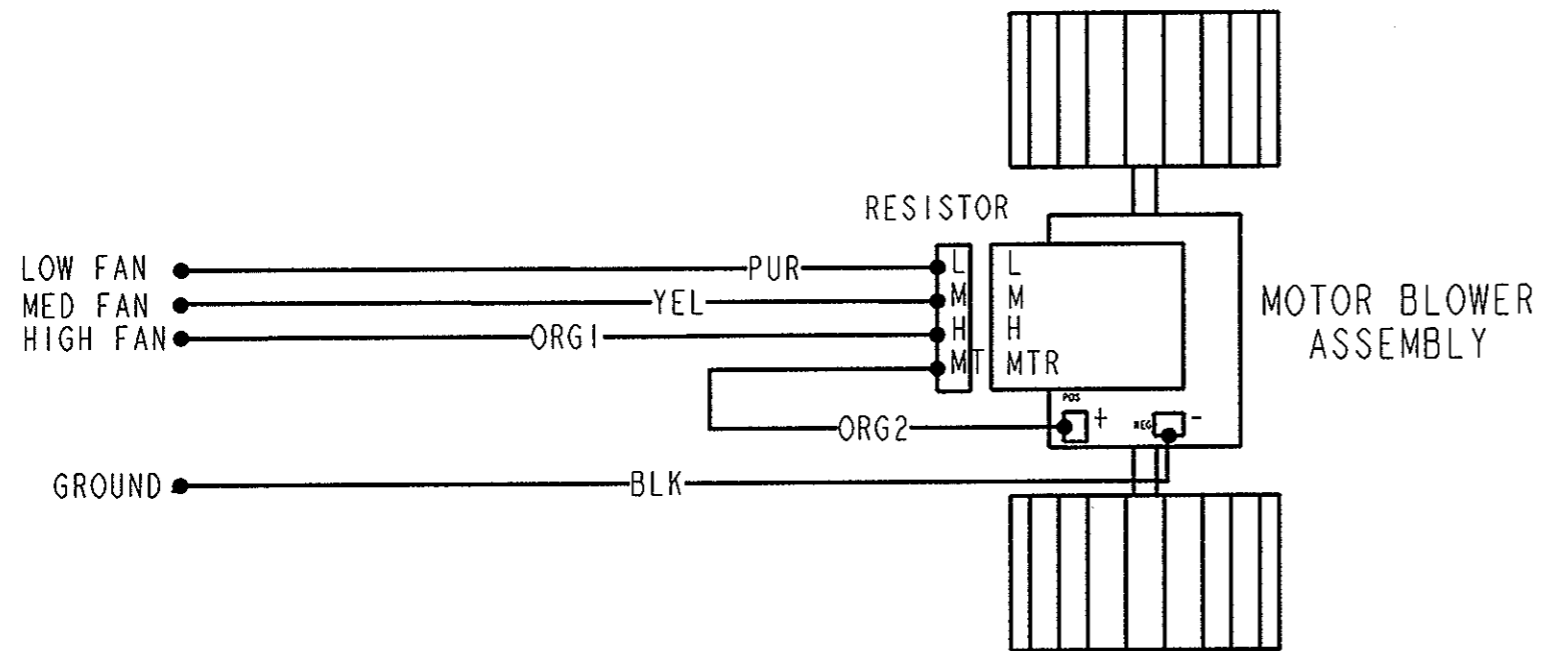


LTR	DATE	BY	CHK'D	PROVE OUT	PROD APPR	REVISION
--	11-20-01	TCT	ONG.	MT	Red	INITIAL RELEASE (ER 25839)



2) SEE RD-3-10529-0 WIRE HARNESS ASSEMBLY FOR INDIVIDUAL WIRE DESCRIPTIONS AND SPECIFICATIONS

1) ALL WIRING 14 GA. UNLESS OTHERWISE SPECIFIED

NOTE:

ITEM	PART NO.		DESCRIPTION	MAT'L	FINISH
DWN	T. THOMPSON	9-19-01	WIRING DIAGRAM R-2550		
CKD	D. GATELY	9-20-01			
SCALE: DRAWING SCALE				THIS PRINT IS PROPRIETARY INFORMATION LOANED SUBJECT TO RETURN UPON DEMAND AND IS NOT TO BE USED DIRECTLY OR INDIRECTLY IN ANY WAY DETRIMENTAL TO RED DOT CORPORATION	
RED DOT CORPORATION 495 Andover Park East Seattle, WA 98188			NEXT ASSY CUSTOMER	DWG. NUMBER RD-3-10533	SIZE B SHEET 1 of 1