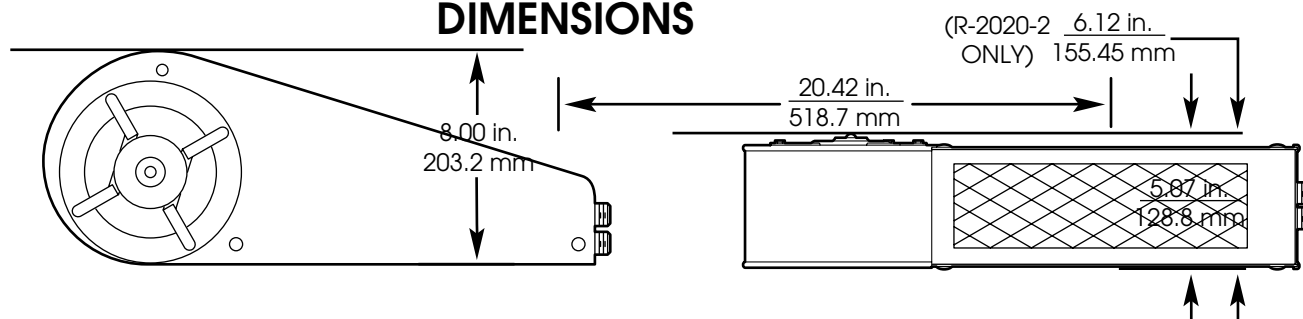


Red Dot Auxiliary Heater-Defroster R-2020 Series

TECHNICAL SALES BULLETIN AND SERVICE PARTS LIST

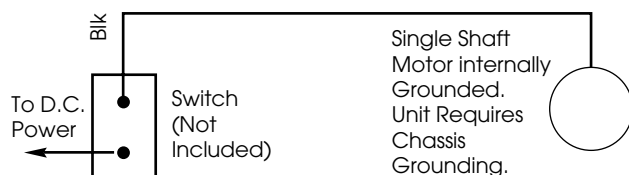
DIMENSIONS



SPECIFICATIONS

BTU's Per Hour:	17,800 BTU/Hr @ 100°F. Air Temp. Rise
Air Flow:	165 C.F.M.
Current Draw:	6 Amps @ 12 Volts 3 Amps @ 24 Volts
Weight:	10.7 Lbs.

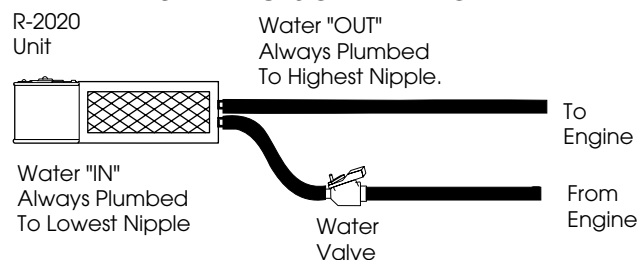
ELECTRICAL SCHEMATIC



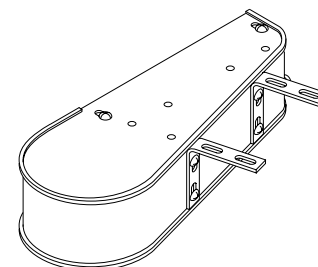
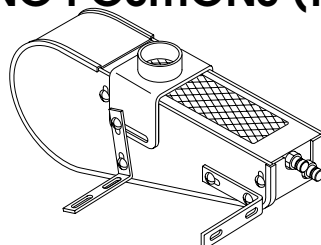
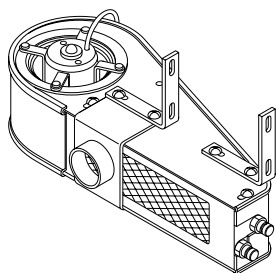
NOTE: - RD-3200-1 Control Assembly May Also Be Used.
This Control Cycles Fan To Maintain Pre Set Temperature.

SCHEMATICS

PLUMBING SCHEMATIC



MOUNTING POSITIONS (TYPICAL)



APPLICATION

R-2020 Is A Universal Unit That May Be Mounted In Any Position With Defrost Only, Defrost & Heater Or Heater Only Modes, And Straight Or 90 Degree "O" Ring & Hose Fittings. Unit May Be Installed On Air Cooled Engine Heated Oil Systems.

Construction & Industrial Cabs

Marine

This Unit Was Designed As A Versatile Package To Meet Increasing Demands For Heating And Defrosting In The Above Captioned Equipment, Also For Additional Source Of Heat To Compliment Existing Heaters And Defrosters.



PRINTED ON RECYCLED PAPER