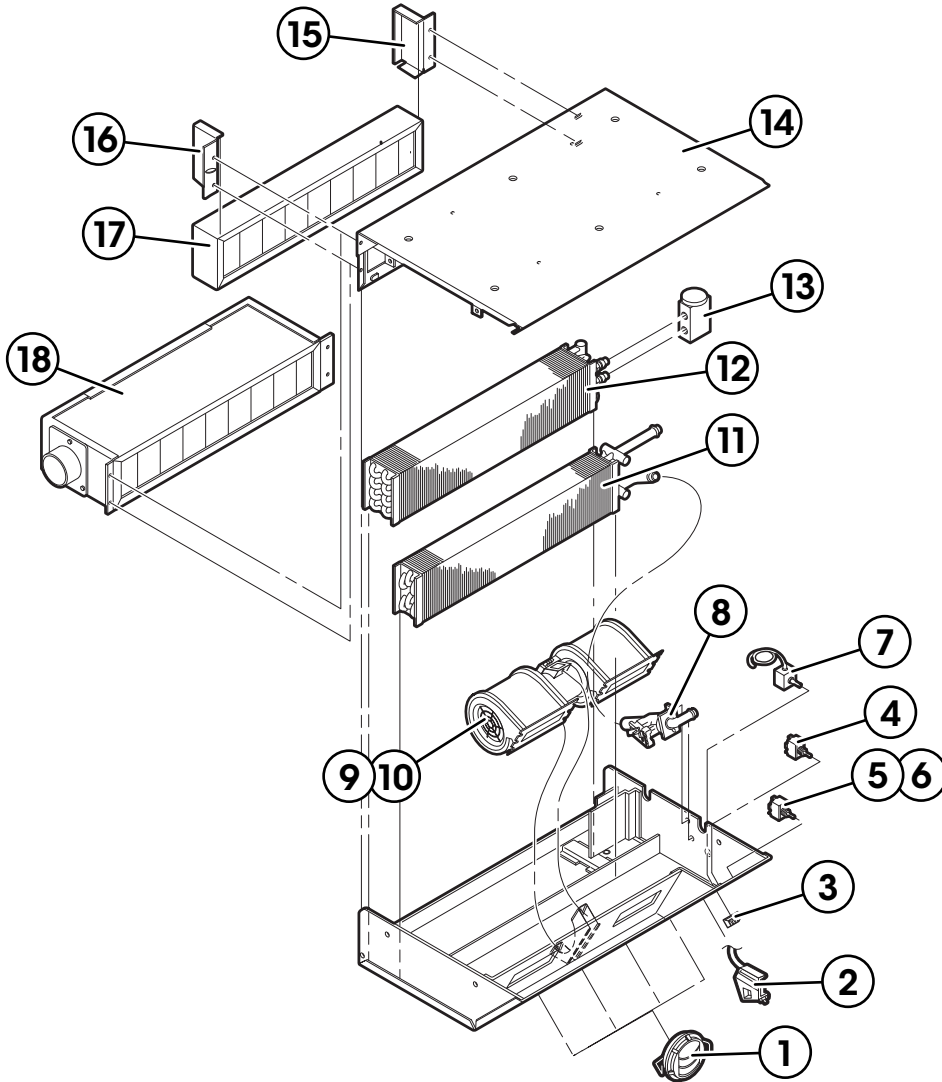


# Air Conditioner with Heater Options Model R-9750-9,-10

## SERVICE PARTS LIST



ITEM	NOTE	PART NO.	DESCRIPTION	CAT. NO.
1		RD-5-8436-OP	Louver (4)	72R3120
2	G	RD-5-7999-1P	Converter-Cable Control	
3		RD-5-8812-0P	Knob-Control, Rotary	71R4015
4		RD-5-0071-0P	Switch-Toggle SPDT	71R0400
5	E,H	RD-4123-2P	Switch-Toggle DPDT	71R0200
6	D	RD-5-3748-0P	Switch-Toggle SPST	71R0010
7		RD-4125-36P	Thermostat	71R2250
8	E,G	RD-3-7305-0P	Water Valve Assembly	
9	B	RD-5-8837-0P	Blower Motor Assembly (12v)	73R5532
10	C	RD-5-8838-0P	Blower Motor Assembly (24v)	73R5534

ITEM	NOTE	PART NO.	DESCRIPTION	CAT. NO.
11	E,H	RD-1-0726-0P	Heater Core Assembly	76R1000
12		RD-2-1633-0P	Evaporator Assembly	76R4900
13		RD-5-6868-0P	Expansion Valve	71R8301
14		RD-3-4683-0P	Cover Assembly - Housing	
15		RD-3-7794-0P	Bracket Assembly - Filter Right	
16		RD-3-7495-1P	Bracket Assembly - Filter Left	
17		RD-3-4804-1P	Filter	78R5310M
18	F	RD-3-4784-0P	Fresh Air Box Assembly	
19	A,F	RD-5-5982-1P	Conversion Kit	
20	A	RD-3-12113-0P	Drain Pan Assembly	

**NOTES:** A. Not shown B. 12 volt system only C. 24 volt system only D. Air conditioner only E. Purchased separately as part of heater conversion Kit RD-5-5982-0  
F. Optional and purchased separately G. R-9750-11-24P Uses RD-5-1893-0 water valve & RD-5-9022-6 cable/ converter H. Heater- A/C only

### RED DOT CORPORATION

P.O.Box 58270 Seattle, WA 98138 (206) 575-3840 AMCustomerService@RedDotCorp.com

RD-5-5985-0 (REV G)

FOR REFERENCE ONLY. SUBJECT TO CHANGE WITHOUT NOTICE