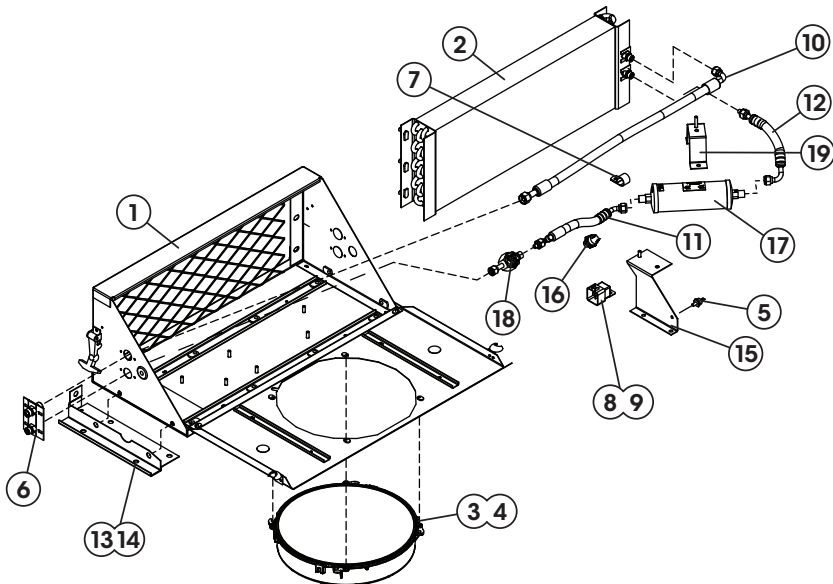


# Remote Mount Condenser Model R-9720-12

## SERVICE PARTS LIST



ITEM	NOTE	PART NO.	DESCRIPTION	CAT. NO.
1		RD-4-6677-0	Housing Assembly	
2		RD-4-4069-1	Condenser Assembly	
3	B	RD-5-13259-2	Fan/Motor Assembly (12v)	
4	C	RD-5-13259-3	Fan/Motor Assembly (24v)	
5		RD-5-4216-0	Diode	71R1900
6		RD-4-3804-0	Fitting Bracket Assembly	
7		RD-5-4666-0	Clamp, Single Hose	70R5708
8	B	RD-5-6690-0	Relay (12v)	71R1902
9	C	RD-5-6693-0	Relay (24v)	71R1904
10		RD-2-1659-26	#6 to #8 Refrigerant Hose Assembly	

ITEM	NOTE	PART NO.	DESCRIPTION	CAT. NO.
11		RD-2-1784-12	#6 Refrigerant Hose Assembly - #6	
12		RD-2-0815-8.50	#6 Refrigerant Hose Assembly - #6	
13		RD-4-4073-0	Bracket Assembly	
14		RD-4-4073-1	Bracket Assembly	
15		RD-4-6678-0	Bracket Assembly - Mount	
16		RD-5-8433-0	Binary Switch Assembly	
17		RD-5-7064-0	Receiver Drier	74R0460
18		RD-5-4903-0	Moisture Indicator	
19		RD-4-4253-1	Bracket Assembly - Drier	

NOTES: A= Not shown B=for unit R-9720-12 (12v) C=for unit R-9720-12-24 (24v)

**RED DOT CORPORATION**

P.O.Box 88790 Seattle, WA 98138 (206) 575-3840 fax (206) 574-6659

**RD-4-6841-0 (REV A)**

FOR REFERENCE ONLY. SUBJECT TO CHANGE WITHOUT NOTICE