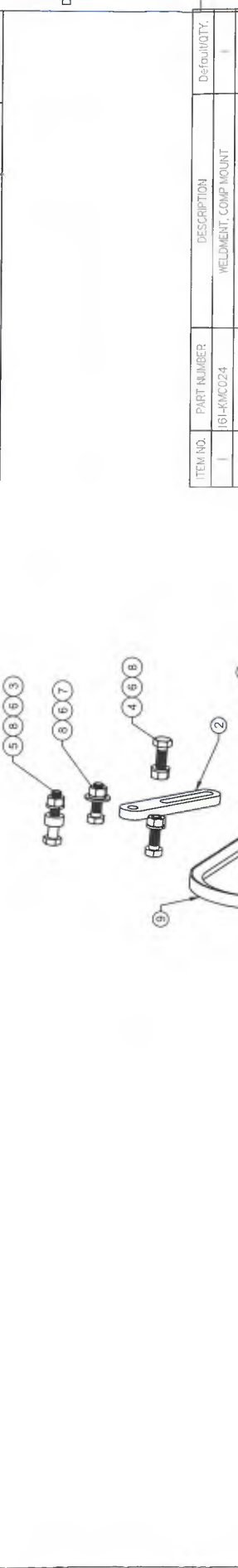


75R9860

REV. NO.		DESCRIPTION		DATE		APPROVED	
1		PRODUCTION LAYOUT		3/5/08			

ITEM NO.	PART NUMBER	DESCRIPTION	Default QTY.
1	161-KM-024	WELDMENT, COMP MOUNT	1
2	167-00-092	TIGHTENER	1
3	160-TS3-404	SPACER	1
4	300245	FHCS M10-1.5 X 35MM GR 10.9 YZ (16MM-KH-HEAD)	3
5	300314	FHCS M10 X 1.5 X 50MM GR10.9 YZ	1
6	300454	WASHER, LOCK M10 ZP	1
7	300025	WASHER, FLAT 3/8" / M10 -HARD YZ	1
8	300246	NUT, HEX M10-1.5 YZ	4
9	168-12-515	BELT, 1/2 X 51.5"	1



ITEMS 3 THRU 8 PACKAGED TOGETHER IN PLASTIC BAG

NOTES:  
 1. PARTS TO BE BOXED IN CORRUGATED CARDBOARD.  
 2. PARTS TO BE PROTECTED W/ CARDBOARD AND OR BUBBLE PACK  
 3. SMALL ITEMS TO BE SEALED TOGETHER IN PLASTIC BAGS OR TIE WRAPPED TO LARGER ITEMS  
 4. CARTON TO BE LABELED ON RED DOT LABEL WITH THE FOLLOWING DATA:

DESCRIPTION: MOUNT KIT  
 PART NO: RD-9-7398-0  
 QTY: 1

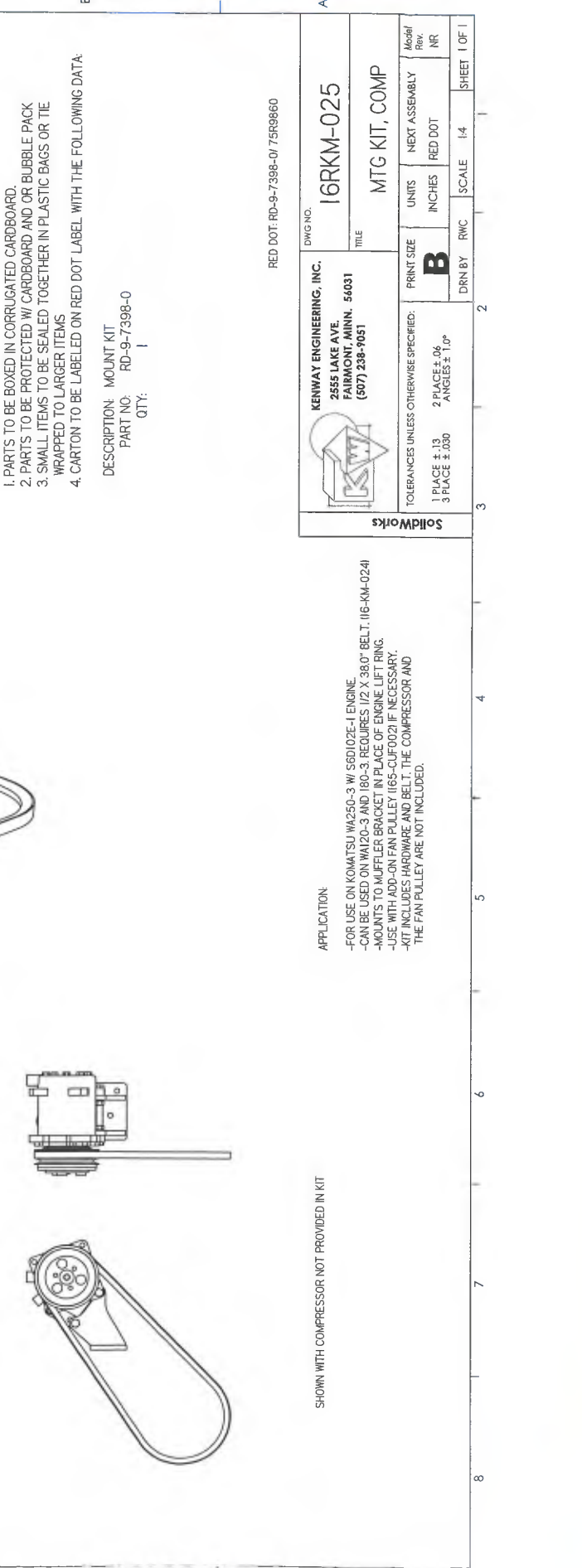
RED DOT: RD-9-7398-0/ 75R9860

**KENWAY ENGINEERING, INC.**  
 2555 LAKE AVE.  
 FAIRMONT, MINN. 56031  
 (507) 238-9051

DWG NO. 16RKM-025		TITLE MTG KIT, COMP	
TOLERANCES UNLESS OTHERWISE SPECIFIED:	PRINT SIZE	UNITS	NEXT ASSEMBLY
1 PLACE ± .13	B	INCHES	RED DOT
2 PLACE ± .04			
3 PLACE ± .030			
	ANGLES ± 1.0°	DRN BY	RWC
		SCALE	1:4
		SHEET	1 OF 1

APPLICATION:  
 -FOR USE ON KOMATSU WA250-3 W/ S6D102E-1 ENGINE.  
 -CAN BE USED ON WA120-3 AND 180-3. REQUIRES 1/2 X 38.0" BELT. (16-KM-024)  
 -MOUNTS TO MUFFLER BRACKET IN PLACE OF ENGINE LIFT RING.  
 -USE WITH ADD-ON FAN PULLEY (165-CUF002) IF NECESSARY.  
 -KIT INCLUDES HARDWARE AND BELT. THE COMPRESSOR AND THE FAN PULLEY ARE NOT INCLUDED.

SHOWN WITH COMPRESSOR NOT PROVIDED IN KIT



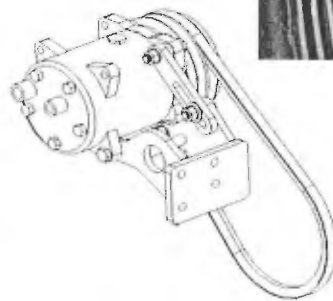
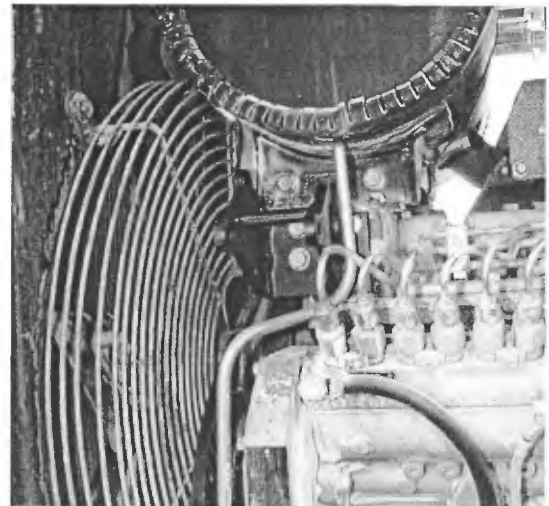
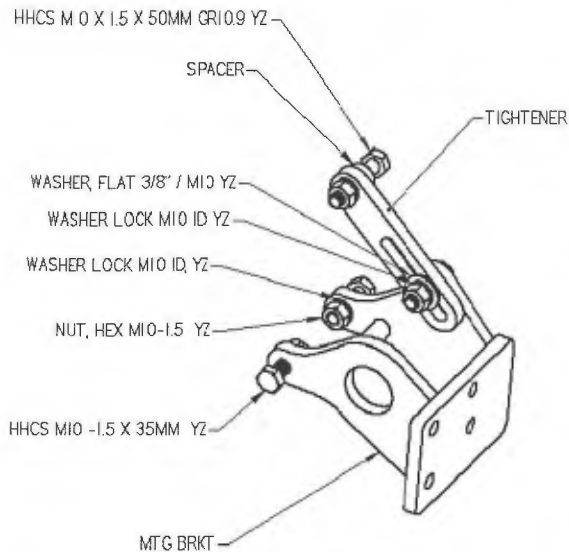


# RED DOT A/C COMPRESSOR MOUNT KITS

KOMATSU S4D102E-1/S6D102E-1

75R9860

RD-9-7398-0P



## NOTE:

- FOR USE ON KOMATSU WA250-3 AND PC150-6.
- CAN BE USED ON WA120-3 AND WA180-3. REQUIRES 1/2 X 38.0" BELT.
- MOUNTS TO MUFFLER BRACKET IN PLACE OF ENGINE LIFT RING.
- KIT INCLUDES HARDWARE AND BELT.
- THE COMPRESSOR AND FAN AUXILLARY DRIVE PULLEY ARE NOT INCLUDED.

NOTE: All illustrations and specifications are not binding in detail, designs are subject to modifications and improvements where necessary.

RED DOT CORPORATION P.O. Box 58270 Seattle, WA 98138 Phone: (206) 575-3840

16RKM-025.doc

3/4/2008