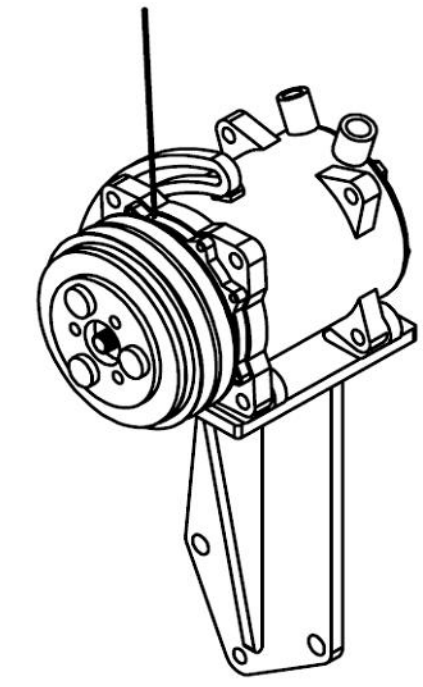
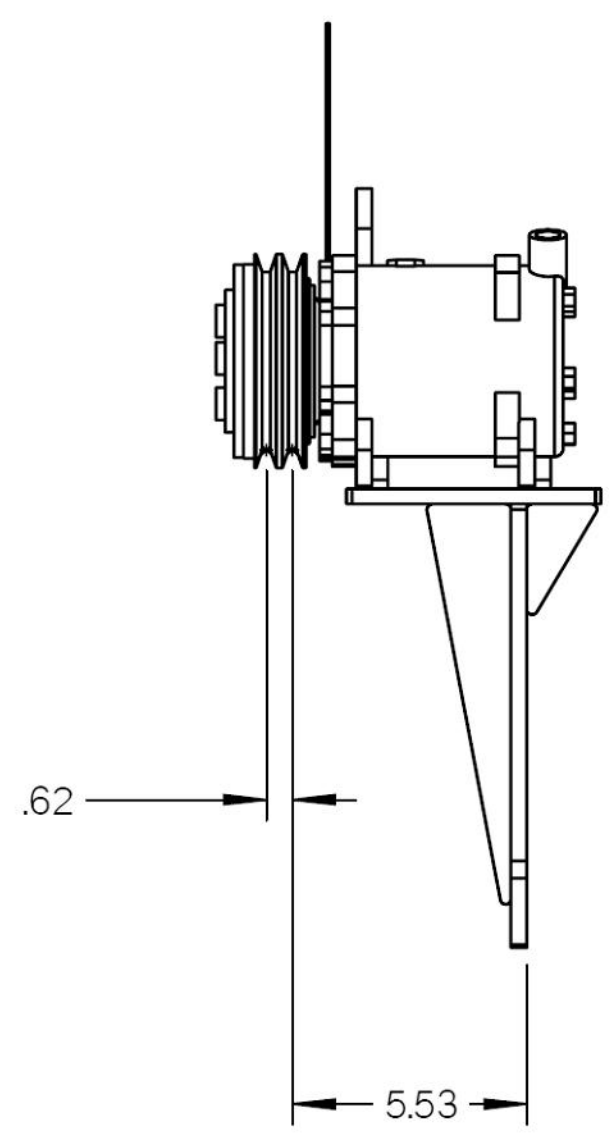
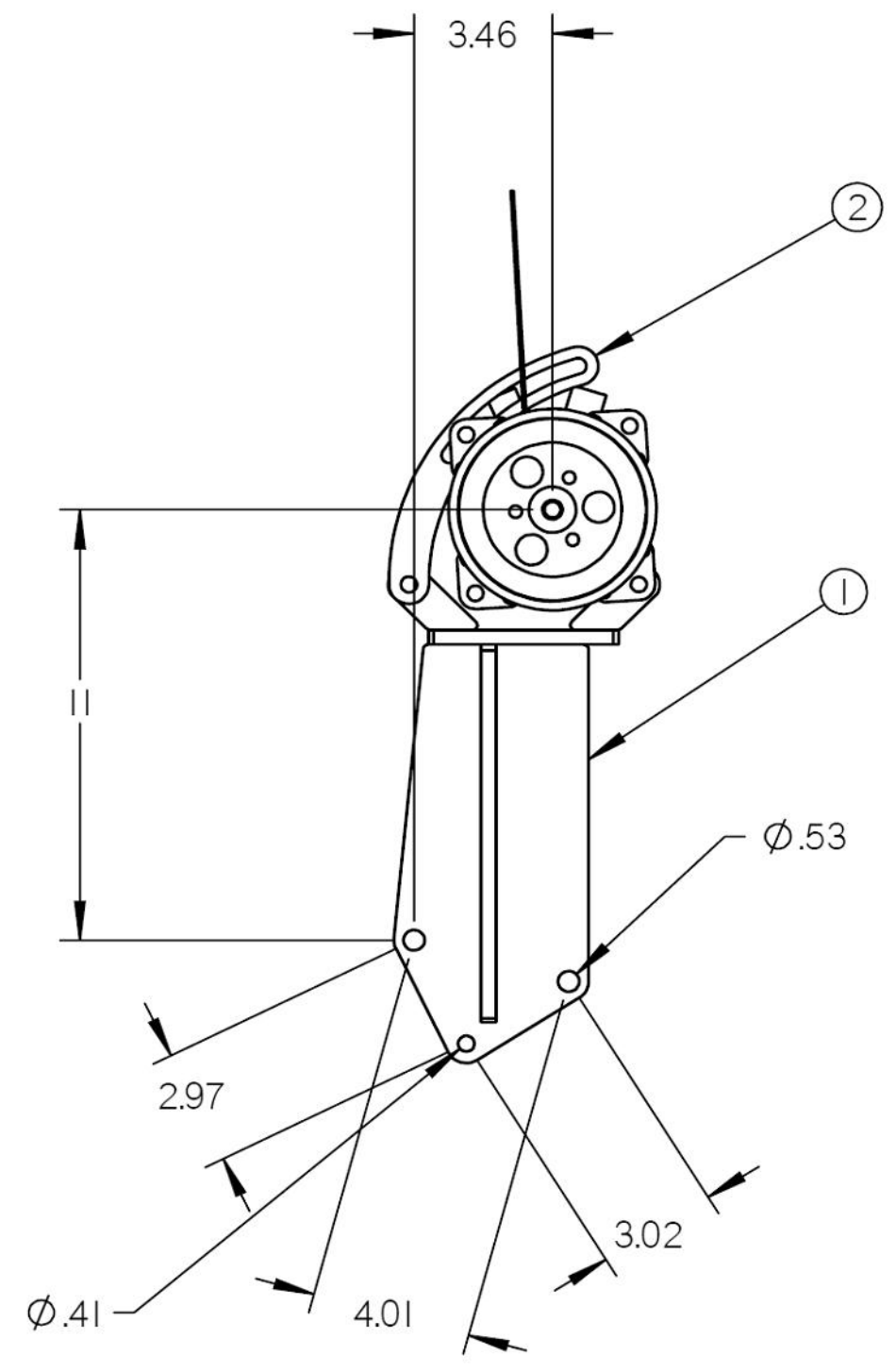


PROPRIETARY AND CONFIDENTIAL

THE INFORMATION CONTAINED IN THIS DRAWING IS THE SOLE PROPERTY OF KENWAY ENGINEERING, INC. ANY RE-PRODUCTION IN PART OR AS A WHOLE WITHOUT THE WRITTEN PERMISSION OF KENWAY ENGINEERING, INC. IS PROHIBITED.

REVISIONS			
REV.	ECO/ REMARKS	DATE	BY
NR	NEW RELEASE	4/25/2002	RWC



ACTUAL INSTALLATION MAY BE DIFFERENT THAN SHOWN.
 MODEL BASED ON INSTALLATION INSTRUCTIONS
 COMPRESSOR -NOT INCLUDED

- NOTES:
- PARTS TO BE BOXED IN CORRUGATED CARDBOARD.
 - PARTS TO BE PROTECTED W/ CARDBOARD AND OR BUBBLE PACK
 - SMALL ITEMS TO BE SEALED TOGETHER IN PLASTIC BAGS
 - CARTON TO BE LABELED WITH RED DOT LABEL(29-RD-001) WITH THE FOLLOWING DATA:

DESCRIPTION: KIT-COMP MOUNT CAT D343 & D346
 PART NO: RD-9-7388-0P
 QTY: 1
 REVISION: -

ITEM NO.	PART NUMBER	DESCRIPTION	QTY.
1	I61-CAC033	BRKT, COMP MNT	1
2	I67-00-116	TIGHTENER	1
3	I68-12-600	BELT, 1/2" X 60"	I-NOT SHOWN
4	I69-CA-033	HARDWARE KIT	I-NOT SHOWN
5	INSTR	INSTRUCTIONS	I-NOT SHOWN
6	COMPRESSOR	COMPRESSOR, VOR	I-NOT INCLUDED

SolidWorks	KENWAY ENGINEERING, INC. 2555 LAKE AVE. FAIRMONT, MINN. 56031 (507) 238-9051		DWG NO. I6RCA-033 TITLE KIT, COMP. MTG CAT D343/D346	
	TOLERANCES UNLESS OTHERWISE SPECIFIED: 1 PLACE ± .13 3 PLACE ± .030		PRINT SIZE A	UNITS INCHES
	DO NOT SCALE DRAWING		NEXT ASSEMBLY DRN BY RWC	SCALE 1:8 SHEET 1 of 1

1 SUPPLIER: KENWAY ENGINEERING P/N: I6RCA-033

NOTES:

✓	ITEM	PART NO.	DESCRIPTION	MAT'L	FINISH
	DWN	J. HANSEN 9-23-15	KIT - MOUNT		
	CKD	J. BELTRAN 9-23-15			
	SCALE: DRAWING SCALE				
RED DOT CORPORATION 495 Andover Park East Seattle, WA 98188			THIS PRINT IS PROPRIETARY INFORMATION LOANED SUBJECT TO RETURN UPON DEMAND AND IS NOT TO BE USED DIRECTLY OR INDIRECTLY IN ANY WAY DETRIMENTAL TO RED DOT CORPORATION		
	NEXT ASSY CUSTOMER	DWG. NUMBER	RD-9-7388	SIZE	SHEET
				C	1 of 1