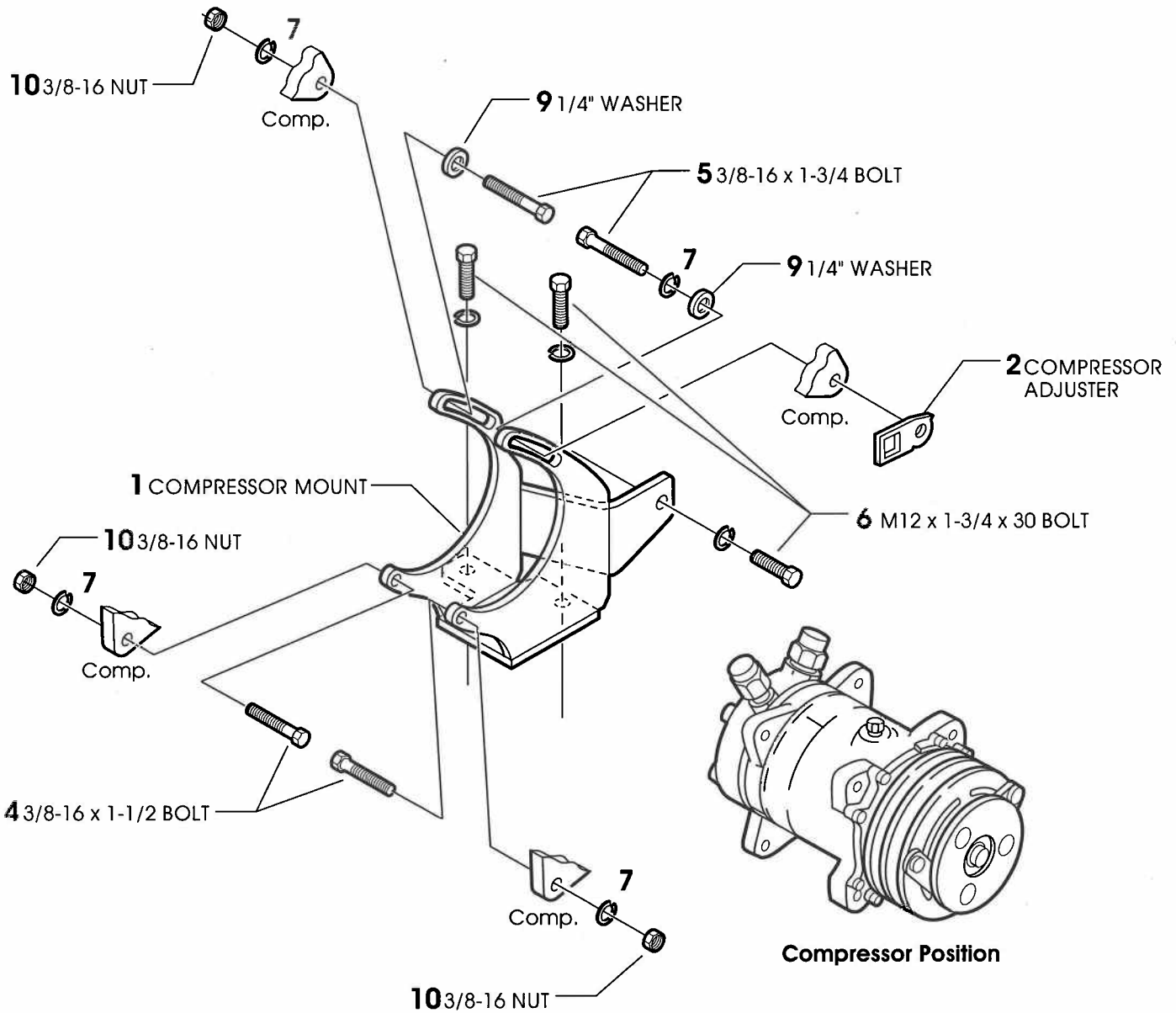


RED DOT A/C COMPRESSOR MOUNT KITS

JOHN DEERE 6-359T/6-414, 544 & 624 75R 9585
WHEEL LOADER RD-9-1114-0

COMPRESSOR MOUNT INSTALLATION



ITEM	PART NUMBER	DESCRIPTION	QTY.	ITEM	PART NUMBER	DESCRIPTION	QTY.
1	RD-9-1126-0	Compressor Mount	1	7	RD-5-4174-0	Lockwasher 3/8	4
2	RD-9-9457-0	Compressor Adjuster	1	8	RD-5-6539-0	Lockwasher M12	3
3	RD-5-6616-0	Belt (9530)	1	9	RD-5-6260-0	.250 Washer	2
4	RD-5-6358-0-1.500	Bolt Hex Hd 3/8-16 x 1-1/2	2	10	RD-5-4173-0	Nut 3/8	3
5	RD-5-6358-0-1.750	Bolt Hex Hd 3/8-16 x 1-3/4	2	11	RD-11-0102-0	Installation Instructions	1
6	RD-5-6540-0-30	Bolt Hex Hd M12 x 1.75 x 30	3				

COMPRESSOR: RD-5-7088-0 (75R 8382) For R-134a version

CLUTCH DIAMETER:

INSTALLATION NOTES

NOTICE: USE LOCK-TITE AS REQUIRED

CAUTION: CHECK OIL LEVEL IN COMPRESSOR

- A. Please read instructions all the way through, making sure you have all the parts and tools. While working on or around a vehicle disconnect the battery to prevent accidental start-up or electrical shorts.
- B. Open engine access door on left side of wheel loader.
- C. Remove rectangle panel under access door.
- D. Install compressor mount using three M12 x 30 bolts (6) & three M12 lockwashers (8).
- E. Attach upper compressor ears to slots of mount using two 3/8 x 1-3/4 bolts (5), two 3/8 lockwashers, two .250 washers (9), one 3/8 nut and one compressor adjuster (2). Do not tighten.
NOTE: .250 washers should be installed against slots in compressor mount.
- F. Install belt on drive pulley and rear groove of compressor pulley.
- G. Use compressor adjuster to tighten belt to proper tension.
- H. Tighten all hardware and reconnect battery.